



VIA Labs, Inc.

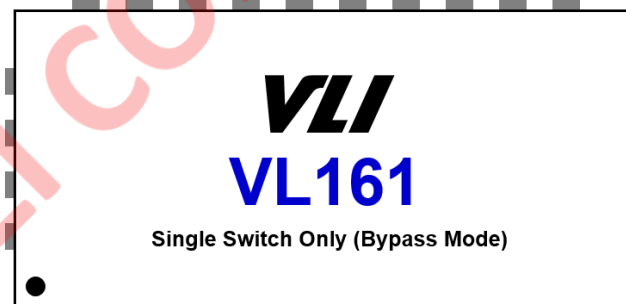
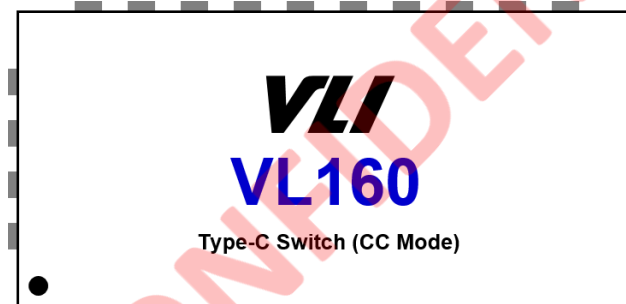
## Datasheet

USB 3.1 10G Data Switch with USB Type-C CC Detection Interface

- VL160 Type-C Switch (CC Mode)
- VL161 Single Switch Only (Bypass Mode)

October 08, 2015

Revision 0.50



VIA Labs, Inc.

[www.via-labs.com](http://www.via-labs.com)

7F, 529-1, Zhongzheng Rd.,

Xindian District, New Taipei City 231 Taiwan

Tel: (886-2) 2218-1838

Fax: (886-2) 2218-8924

Email: [sales@via-labs.com.tw](mailto:sales@via-labs.com.tw)

## Revision History

Revision No.	Draft Date	History	Initial
0.50	Oct. 08. 2015	Preliminary Release	TH

VLI CONFIDENTIAL

## Contents

Product Feature .....	- 4 -
Block Diagram .....	- 5 -
Pinout .....	- 6 -
Pin List .....	- 8 -
Pin Descriptions .....	- 9 -
Application Diagram .....	- 11 -
Electrical Specification .....	- 13 -
Reflow Profile .....	- 14 -
Package Mechanical Specifications .....	- 15 -
Ordering Information .....	- 16 -

## List of Figures

Figure 1 - Block Diagram.....	- 5 -
Figure 2 - VL160 Pin Diagram (MQFN-28) .....	- 6 -
Figure 3 - VL161 Pin Diagram (MQFN-28) .....	- 7 -
Figure 4 - Reflow .....	- 14 -
Figure 5 - Mechanical Specification .....	- 15 -

VLI CONFIDENTIAL

## Product Feature

### USB 3.1 10G Data Switch with USB Type-C CC Detection Interface

**VL160:** Type-C Switch (CC Mode)

**VL161:** Single Switch Only (Bypass Mode)

- **4:2 10Gbps USB Type-C Data Switch**
- **Support up to 10 Gbps**
- **2 Differential Channel, 2:1 MUX/DeMUX**
- **Compatible with 10 Gbps USB3.1 Gen2**
- **Low power consumption with 0.5mA active and 4uW shutdown**
- **High DC common mode voltage supporting to 2.2V**
- **28 pins QFN 3.5x4.5mm package**
- **ESD > 2KV, CDM > 500V**
- **MUX**
  - Insertion loss: 1.5dB @ 5GHz typ.
  - Return loss: 15dB @ 5GHz typ.
  - Crosstalk Isolation: 30dB @ 5GHz typ.
  - Off Isolation: 15dB @ 5GHz typ.
- **CC Functional**
  - Define Role: Device (UFP, default) or Host (DFP)
  - Plug Orientation: Flipped or Not, and control Switch SEL
  - (UFP) Current Capability Detect: 3.0A, 1.5A, or 0.9A
  - (UFP) Rd
  - (DFP) Rp (or Ip), Vconn SW if Ra
  - (DFP) VBUS\_EN to turn on Host VBUS SW
- **Vconn**
  - 5V, max Power is 1W, max current is 250mA
  - Over current protection

### Block Diagram

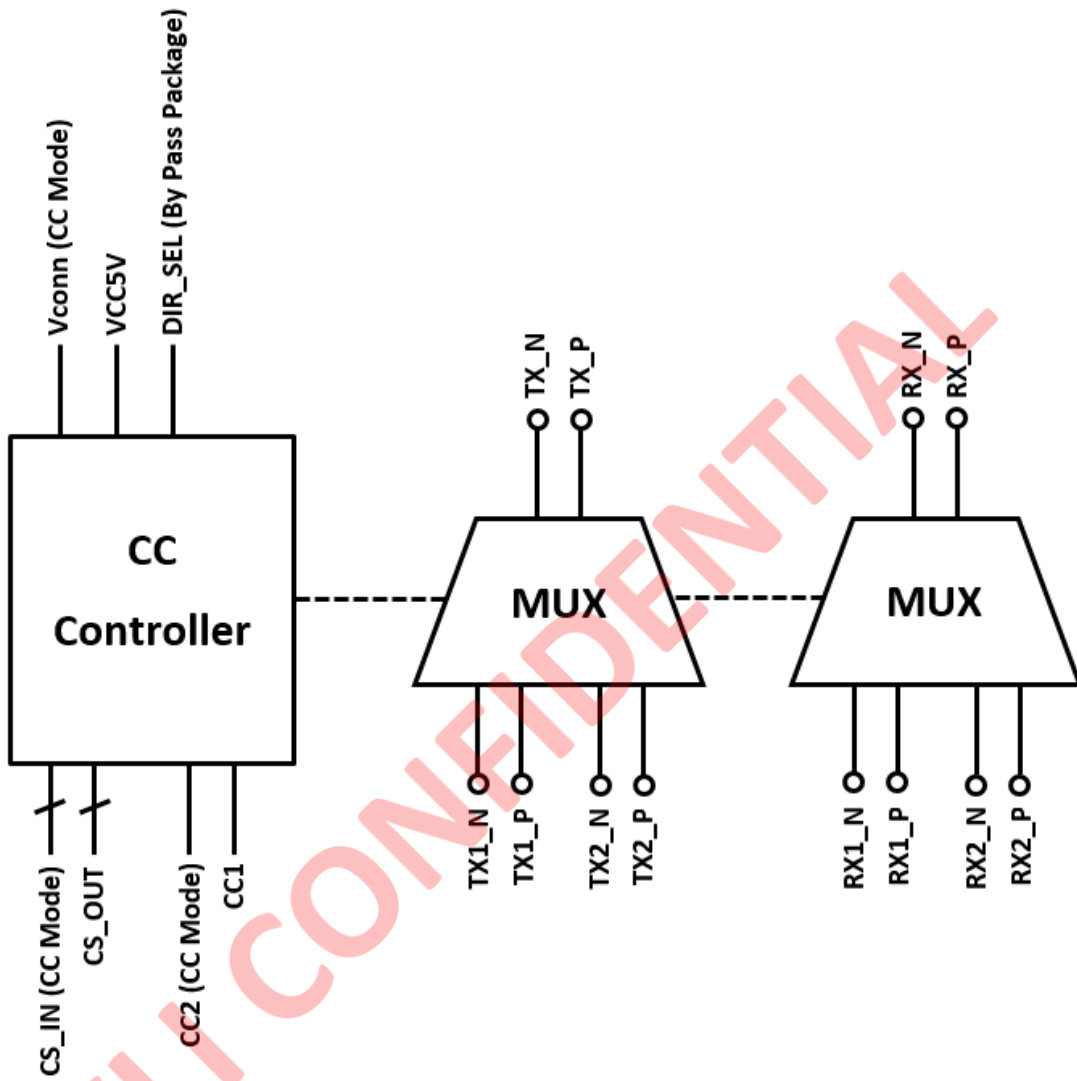


Figure 1 - Block Diagram

### Pinout

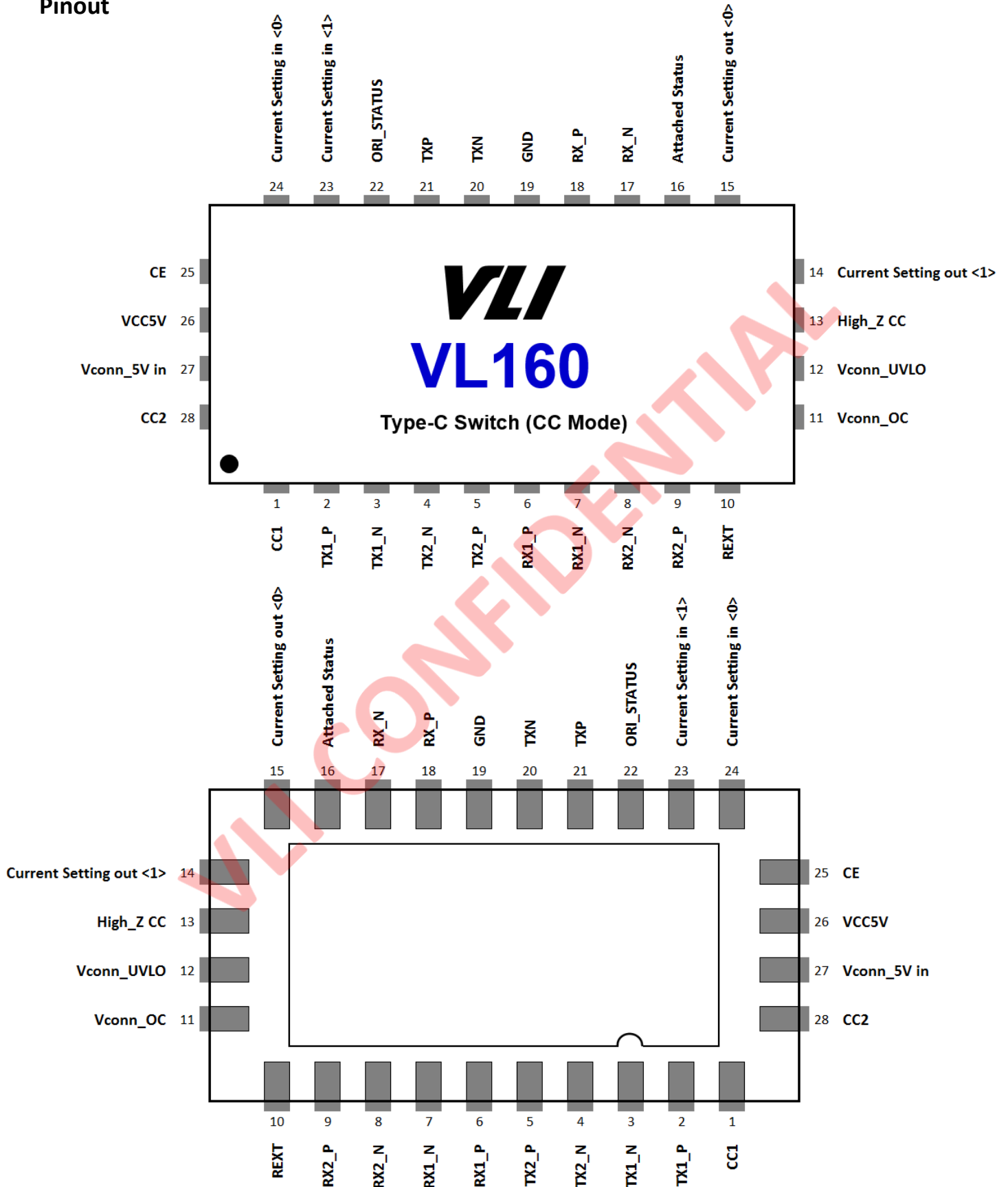


Figure 2 - VL160 Pin Diagram (MQFN-28)

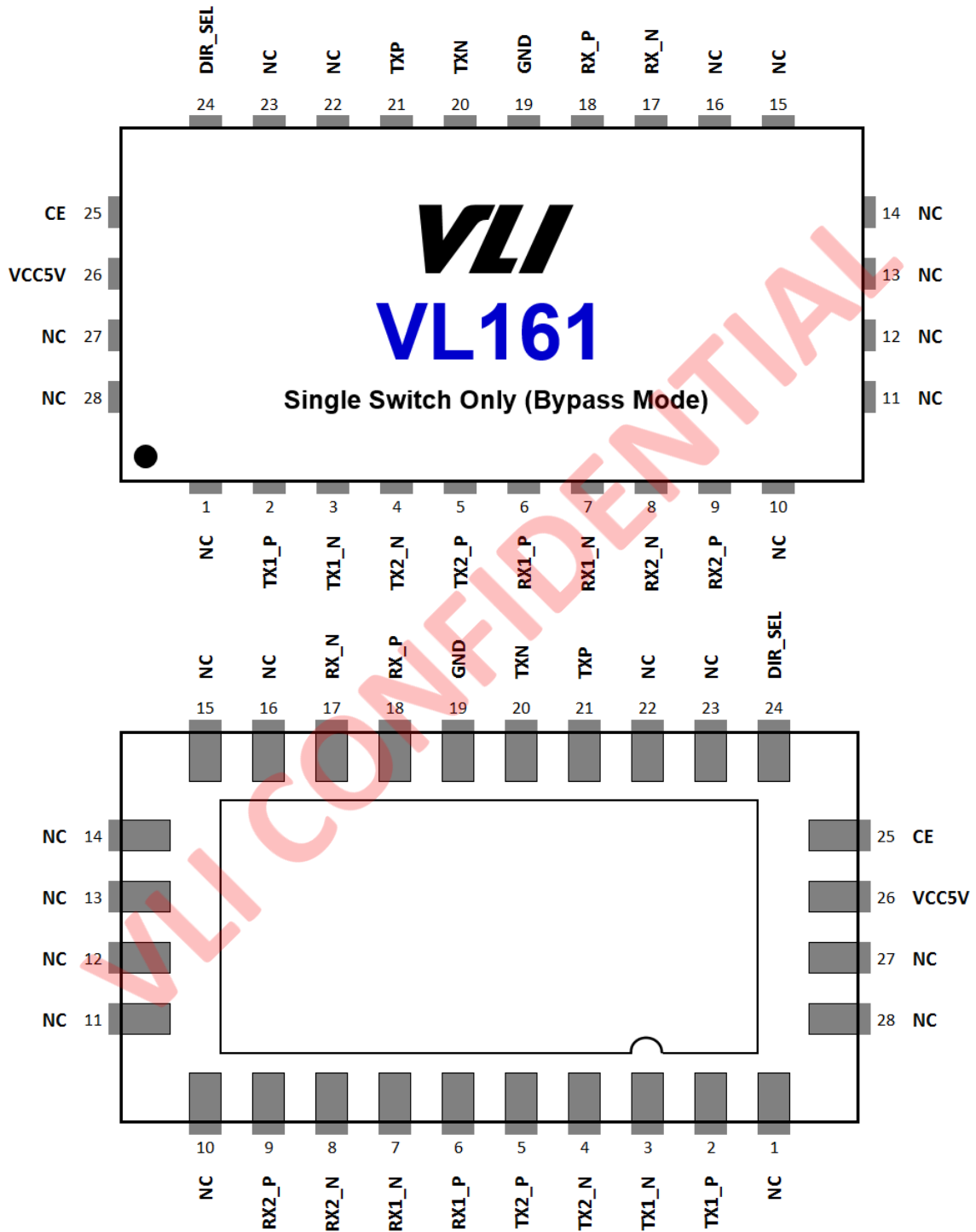


Figure 3 - VL161 Pin Diagram (MQFN-28)

## Pin List

### VL160

Pin	Pin Name
1	CC1
2	TX1_P
3	TX1_N
4	TX2_N
5	TX2_P
6	RX1_P
7	RX1_N
8	RX2_N
9	RX2_P
10	REXT
11	Vconn_OC
12	Vconn_UVLO
13	High_Z CC
14	Current Setting out <1>

Pin	Pin Name
15	Current Setting out <0>
16	Attached_Status
17	RX_N
18	RX_P
19	GND
20	TXN
21	TXP
22	ORI_STATUS
23	Current Setting in <1>
24	Current Setting in <0>
25	CE
26	VCC5V
27	Vconn_5V in
28	CC2

### VL161

Pin	Pin Name
1	NC
2	TX1_P
3	TX1_N
4	TX2_N
5	TX2_P
6	RX1_P
7	RX1_N
8	RX2_N
9	RX2_P
10	NC
11	NC
12	NC
13	NC
14	NC

Pin	Pin Name
15	NC
16	NC
17	RX_N
18	RX_P
19	GND
20	TXN
21	TXP
22	NC
23	NC
24	DIR_SEL
25	CE
26	VCC5V
27	NC
28	NC



## Pin Descriptions

### VL160

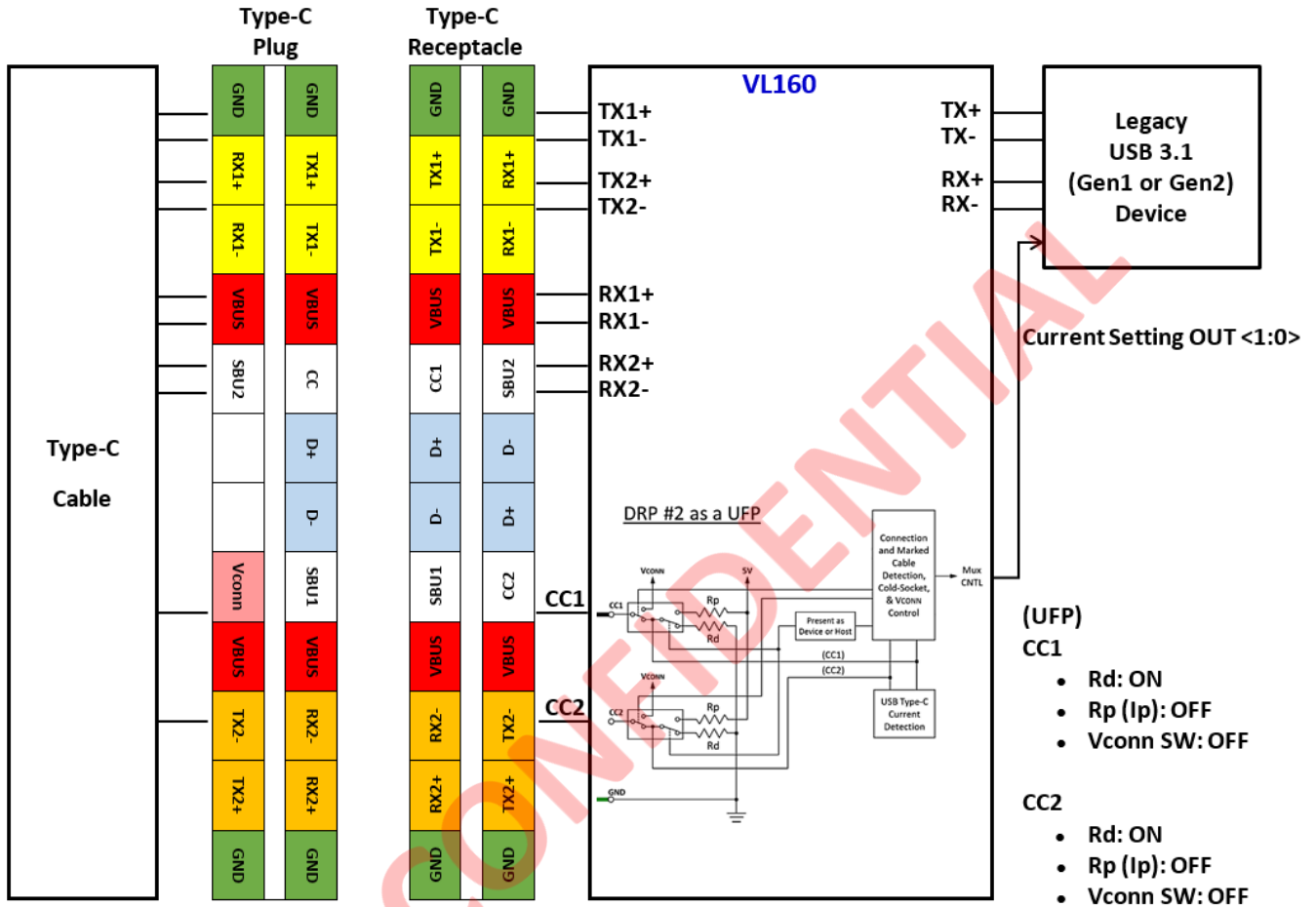
Pin Name	Pin #	I/O	Description
AI/O	1	AI/O	0~5V analog input
TX1_P	2	High Speed I/O	USB differential pair
TX1_N	3		
TX2_N	4	High Speed I/O	USB differential pair
TX2_P	5		
RX1_P	6	High Speed I/O	USB differential pair
RX1_N	7		
RX2_N	8	High Speed I/O	USB differential pair
RX2_P	9		
REXT	10		External resister 20.5k 1% connect to GND
Vconn_OC	11	DO	Vconn Over current, 3.3V = Over current
Vconn_UVLO	12	DO	Vconn Under voltage, 3.3V = under voltage
High_Z CC	13	DI	Turn off Rp/Rd on CC1/CC2, 0V = Normal mode, 5V = Hi-Z mode
Current Setting out <1>	14	DO	(3.3V logic) 11: CC Support 3A 10: CC Support 1.5A 01: UNDEFINED
Current Setting out <0>	15	DO	00: CC Support Legacy Reasoning: Easily identify 3A vs 1.5A or Legacy / 1.5A or Legacy using just 1 pin. If they need to differentiate between 1.5A and 3A, then use 2 pins
Attached_Status	16	DO	Indication for port attached, 3.3V = attached
RX_N	17	High Speed I/O	USB differential pair
RX_P	18		
GND	19	GND	Ground
TXN	20	High Speed I/O	USB differential pair
TXP	21		
ORI_STATUS	22	DO	Orientation status 0 = TX1/RX1, 3.3V = TX2/RX2
Current Setting in <1>	23	AI	Rp/Rd setting input <b>(3.3V logic)</b> 00: Ip = 80uA 01: Ip = 180uA 10: Ip = 330uA 11: Rd = 5.1Kohm
Current Setting in <0>	24	AI	00: Rp = 36Kohm 01: Rp = 12Kohm 10: Rp = 4.7Kohm 11: Rd = 5.1Kohm
CE	25	DI	Chip Enable (5V = Enable)
VCC5V	26	PWR	VCC5V for controller
VCONN_5V in	27	PWR	5V input for Vconn
CC2	28	AI/O	0~5V analog input

**VL161**

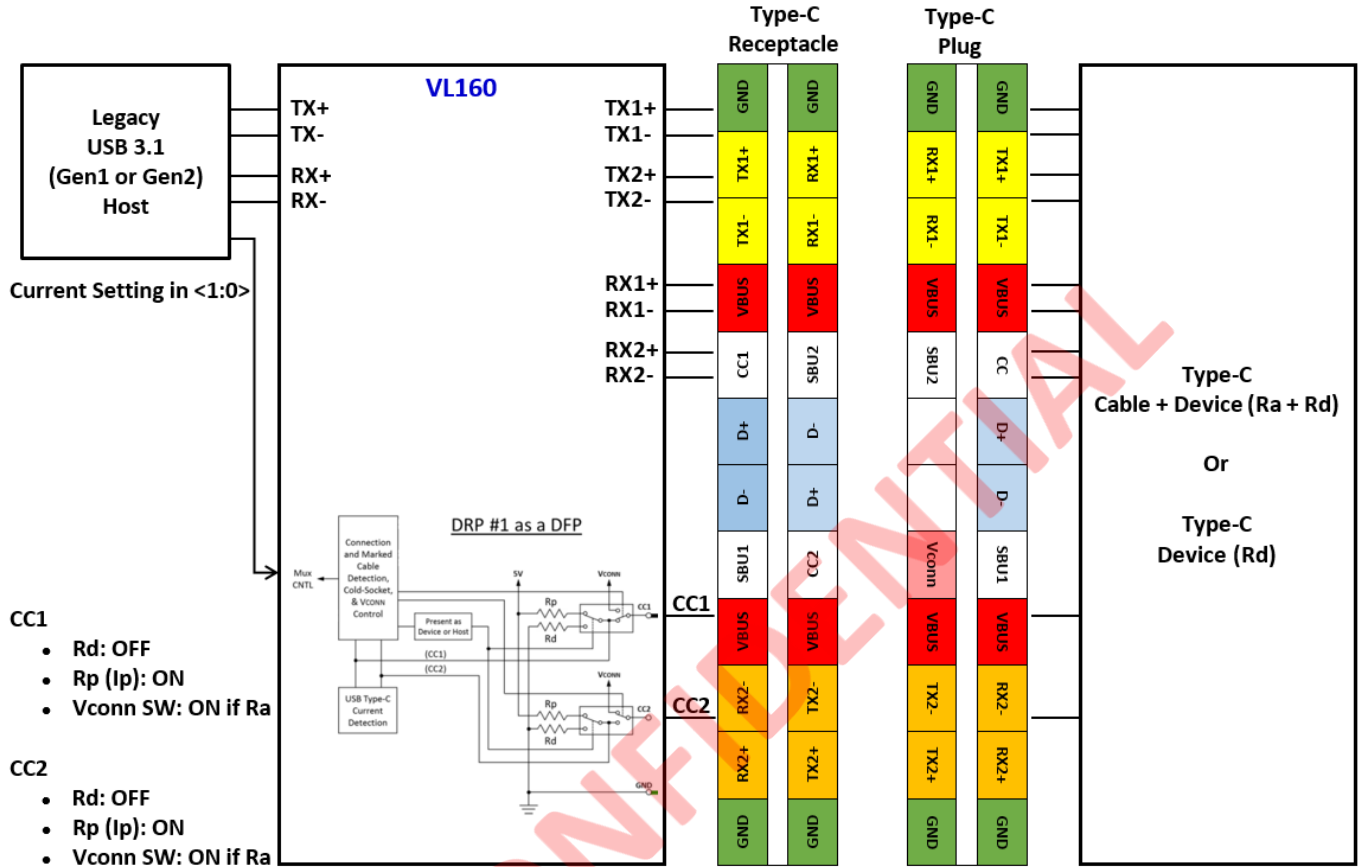
Pin Name	Pin #	I/O	Description
NC	1		No connection
TX1_P	2	High Speed I/O	USB differential pair
TX1_N	3		
TX2_N	4	High Speed I/O	USB differential pair
TX2_P	5		
RX1_P	6	High Speed I/O	USB differential pair
RX1_N	7		
RX2_N	8	High Speed I/O	USB differential pair
RX2_P	9		
NC	10		No connection
NC	11		No connection
NC	12		No connection
NC	13		No connection
NC	14		No connection
NC	15		No connection
NC	16		No connection
RX_N	17	High Speed I/O	USB differential pair
RX_P	18		
GND	19	GND	Ground
TXN	20	High Speed I/O	USB differential pair
TXP	21		
NC	22		No connection
NC	23		No connection
DIR_SEL	24	AI	BYPASS mode <b>(3.3V logic)</b> (1)DIR_SEL='L', <TX1, RX1> output (2)DIR_SEL='H', <STX2, RX2> output
CE	25		No connection
VCC5V	26	PWR	VCC5V for controller
NC	27		5V input for Vconn
NC	28		0~5V analog input

## Application Diagram

VL160 (CC Mode) for Cable + Device



VL160 (CC Mode) for Host + Cable or Host only



## Electrical Specification

### Absolute Maximum Rating

Symbol	Parameter	Min	Max	Unit	Note
T <sub>STG</sub>	Storage Temperature	-55	125	°C	-
V <sub>ESD</sub>	Electrostatic Discharge	TBD	TBD	V	Human Body Model
θ <sub>jc</sub>	Thermal resistance between junction and case	TBD		°C/W	
P <sub>D</sub>	Max Power Dissipation	-	TBD	W	

Note: Stress above conditions may cause permanent damage to the device.  
Functional operation of this device should be restricted to the conditions described.

Note: About thermal factors, T<sub>a</sub> is the concerned ambient temperature, and

$$\theta_{ca} = \theta_{ja} - \theta_{jc}$$

$$T_j = \theta_{ja} * P_D + T_a$$

$$T_c = \theta_{ca} * P_D + T_a$$

### Operating Conditions

Symbol	Parameter	Min	Typ.	Max	Unit	Note
V <sub>DD</sub>	Supply voltage	3.0	3.3	3.6	V	
T <sub>A</sub>	Ambient Temperature	-45		85	°C	
T <sub>j</sub>	Junction Temperature	0		125	°C	-

### Static characteristics:

V<sub>DD</sub> = 3.3V ± 10 %; T<sub>amb</sub> = -40°C to +85°C; unless otherwise specified.

Symbol	Parameter	Conditions	Min	Typ.	Max	Unit
IDD	Supply current	Operation mode				mA
		Shutdown mode				mA
VIH	High-level input voltage					V
VIL	Low-level input voltage					V
VI	Input voltage	Differential pins				V
VIC	Common mode input voltage					

## Reflow Profile

**Follow:** IPC/JEDEC J-STD-020 D.1

### Condition

Average ramp-up rate (217°C to peak): 1~2°C/sec max.

Preheat: 150~200C, 60~120 seconds

Temperature maintained above 217°C: 60~150 seconds

Time (tp)\* within 5 °C of the specified classification temperature (Tc = (260°C)), (the time above 255°C) ≥ 30 sec.

Peak temperature: 260+5/-0°C

Ramp-down rate: 3°C/sec. max.

Time 25°C to peak temperature: 8 minutes max.

Cycle interval: 5 min

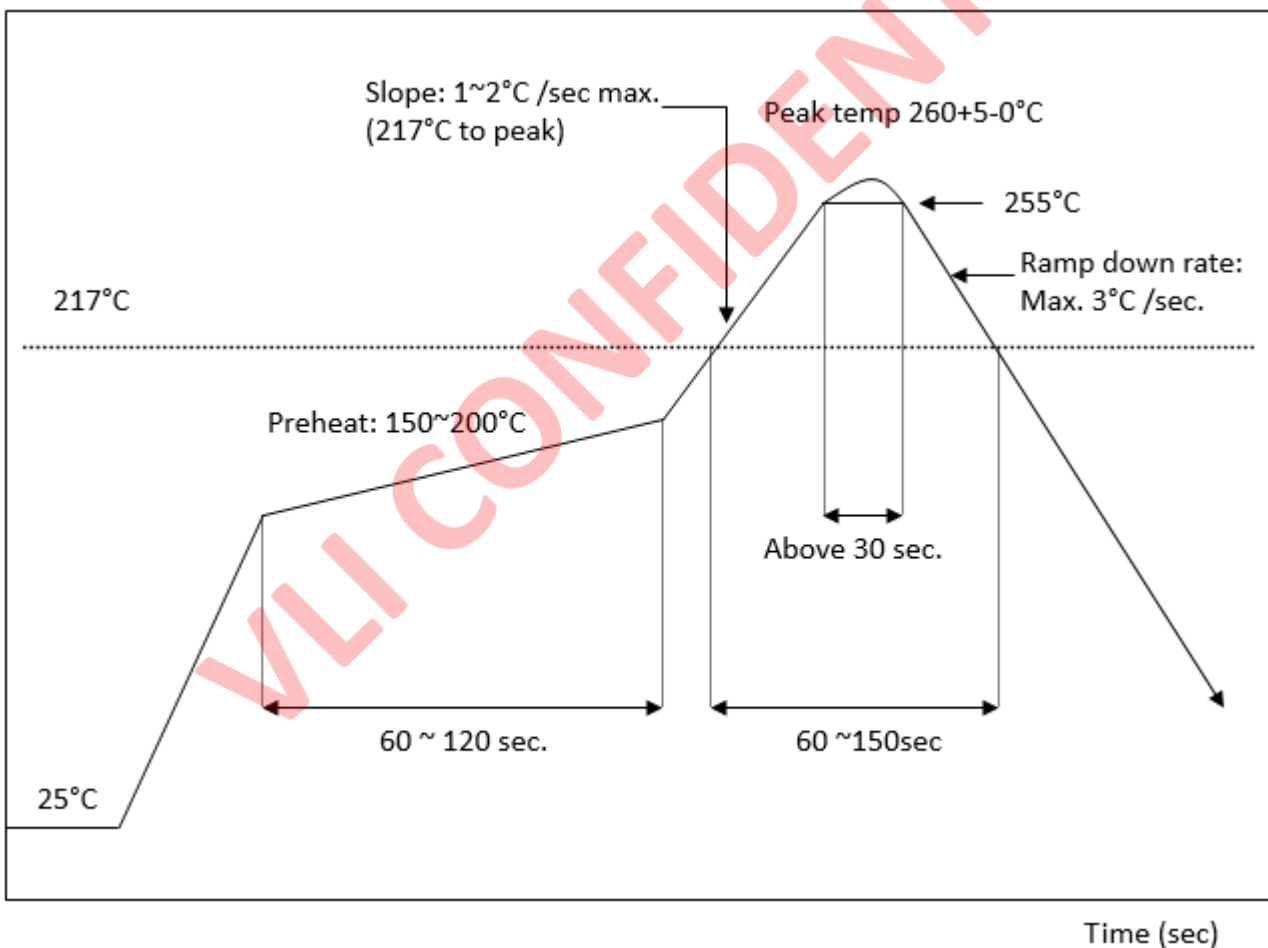


Figure 4 - Reflow

### Package Mechanical Specifications

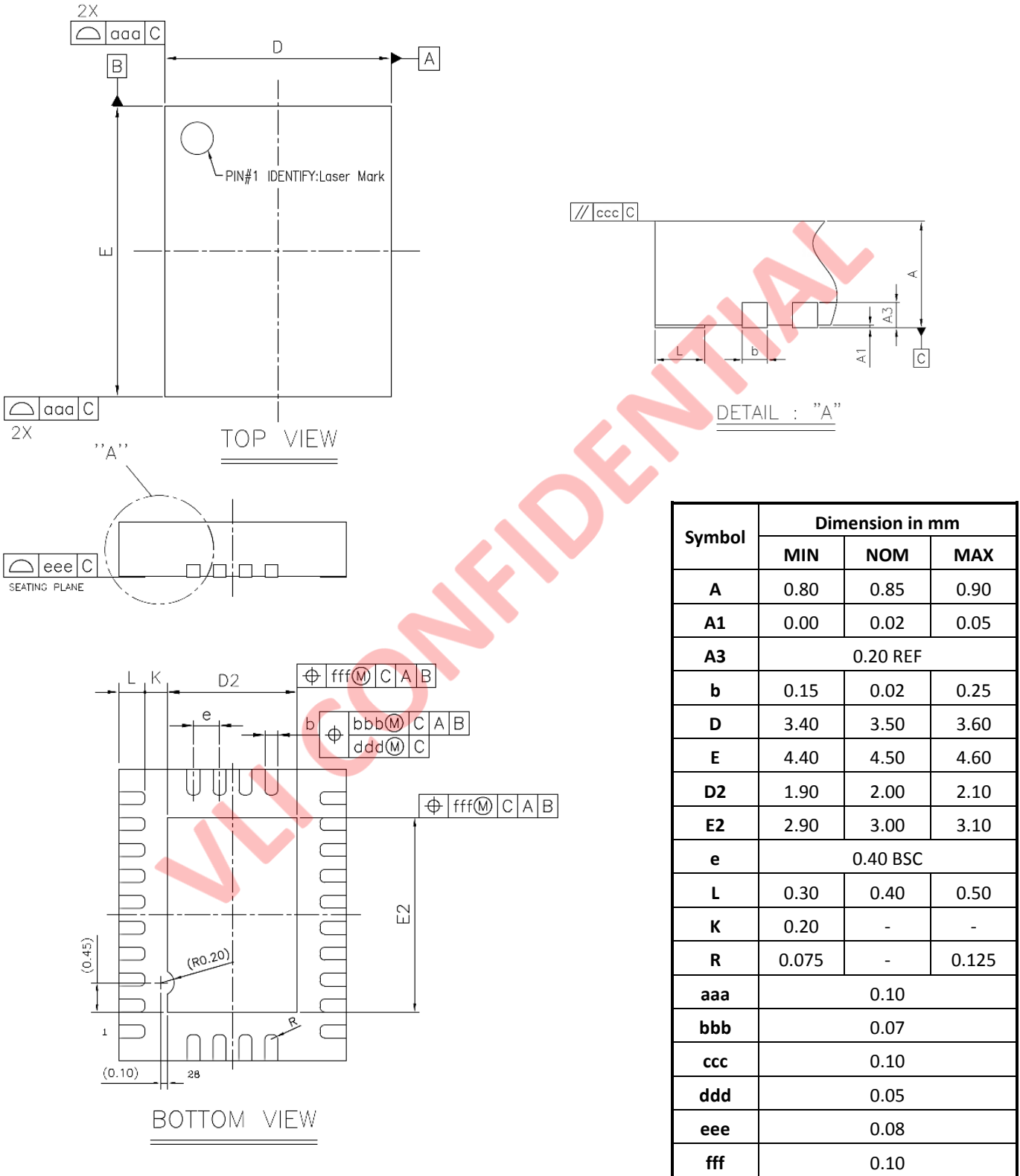


Figure 5 - Mechanical Specification

## Ordering Information

Part Number	Description	Package Type
VL160	Type-C Switch (CC Mode)	MQFN-28 (3.5x4.5mm)
VL161	Single Switch Only (Bypass mode)	MQFN-28 (3.5x4.5mm)

VLI CONFIDENTIAL



**VIA Labs, Inc.**

[www.via-labs.com](http://www.via-labs.com)

7F, 529-1, Zhongzheng Rd.,

Xindian District, New Taipei City 231 Taiwan

Tel: (886-2) 2218-1838

Fax: (886-2) 2218-8924

Email: [sales@via-labs.com.tw](mailto:sales@via-labs.com.tw)

Copyright © 2015 VIA Labs, Inc. All Rights Reserved.

No part of this document may be reproduced, transmitted, transcribed, stored in a retrieval system, or translated into any language, in any form or by any means, electronic, mechanical, magnetic, optical, chemical, manual or otherwise without the prior written permission of VIA Labs, Inc. The material in this document is for information only and is subject to change without notice. VIA Labs, Inc. reserves the right to make changes in the product design without reservation and without notice to its users.

All trademarks are the properties of their respective owners.

No license is granted, implied or otherwise, under any patent or patent rights of VIA Labs, Inc. VIA Labs, Inc. makes no warranties, implied or otherwise, in regard to this document and to the products described in this document. The information provided by this document is believed to be accurate and reliable as of the publication date of this document. However, VIA Labs, Inc. assumes no responsibility for any errors in this document. Furthermore, VIA Labs, Inc. assumes no responsibility for the use or misuse of the information in this document and for any patent infringements that may arise from the use of this document. The information and product specifications within this document are subject to change at any time, without notice and without obligation to notify any person of such change.